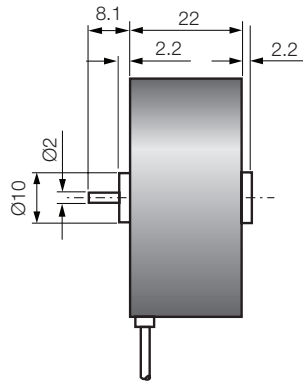
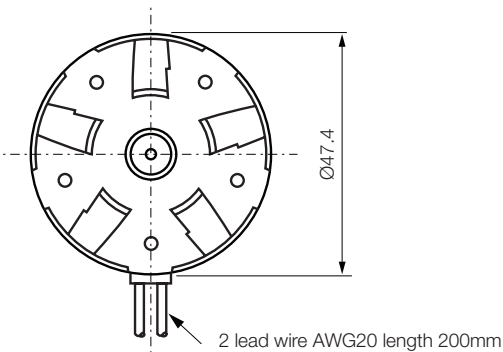


AC Motors

4722

Issue 06:2269

Units: mm



General Specification

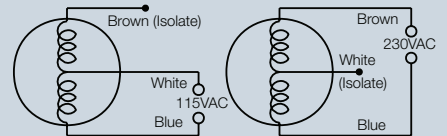
Frequency	50/60Hz
Speed	600/720rpm
Input power	4W
Running torque	19mNm
	@ nominal voltage and 50Hz
Temperature rise	60°C
Ambient temperature range	0-50°C
Dielectric strength	2000V AC 1 sec.
Insulation class	E
Reliability	5x10 ⁶ starts (min)
Weight	150g

Voltage* (V)	Current @50Hz (mA)	Lead colours
230	20	Brown Blue
115	40	White Blue
48	100	Brown White
24	200	Blue Blue
12	400	Brown Brown
6	800	White White
230/115	20/40	Brown Blue White

Motor Options

Clockwise, anti-clockwise
Alternative voltages
Alternative lead lengths
UL recognition available for standard 4722 at 115V and 230V (no E63763)
4722L - running torque 7mNm
4722H - running torque 25mNm

Dual voltage Connections



* Please contact Rotalink if you wish to run this motor at other voltages

Contact:

www.rotalink.com
info@rotalink.com
T: +44 (0)1460 72000
F: +44 (0)1460 74278

Rotalink Limited
Cropmead, Crewkerne
Somerset TA18 7HQ, UK

www.rotalink.com