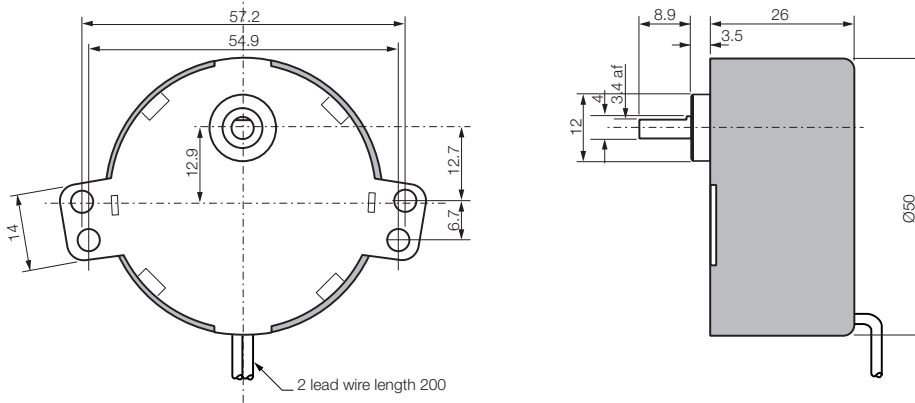


# AC Motors

5026

Issue 02

Units: mm



## General Specification

Frequency	50/60Hz
Input power	4W
Temperature rise	60°C
Insulation resistance	100MΩ(min) at 500VDC
Dielectric strength	840V AC 1 min.
Weight	150g

Model	Voltage** V	Speed rpm	Torque*** mNm	Lead colours
5026-1250-1*	12	1/1.2	500	Brown/Brown
5026-1250-2.5*	12	2.5/3	450	Brown/Brown
5026-1250-10*	12	10/12	350	Brown/Brown
5026-1250-30*	12	30/36	125	Brown/Brown
5026-24050-1*	240	1/1.2	500	Blue/Brown
5026-24050-2.5*	240	2.5/3	450	Blue/Brown
5026-24050-10*	240	10/12	350	Blue/Brown
5026-24050-30*	240	30/36	125	Blue/Brown

\* C = clockwise A = anti-clockwise

\*\* Please contact Rotalink if you wish to run this motor at other voltages

\*\*\* @ nominal voltage and 50Hz

## Motor Options

Clockwise, anti-clockwise

### Contact:

[www.rotalink.com](http://www.rotalink.com)  
[info@rotalink.com](mailto:info@rotalink.com)  
 T: +44 (0)1460 72000  
 F: +44 (0)1460 74278

Rotalink Limited  
 Cropmead, Crewkerne  
 Somerset TA18 7HQ, UK

[www.rotalink.com](http://www.rotalink.com)