

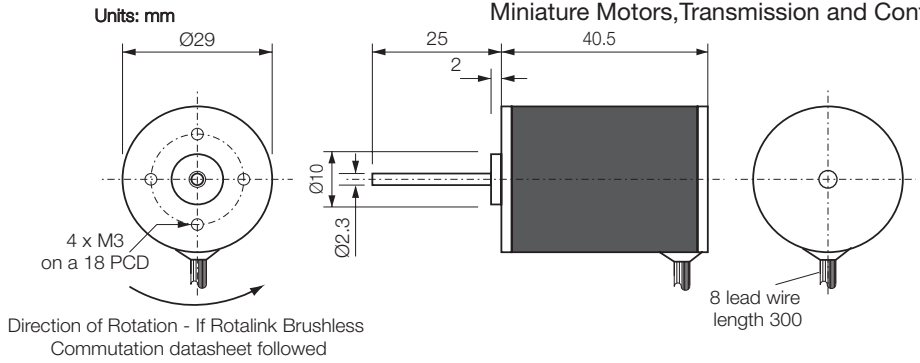
# DC Motors

BL2940-247

Issue 03

# Rotalink

Miniature Motors, Transmission and Control

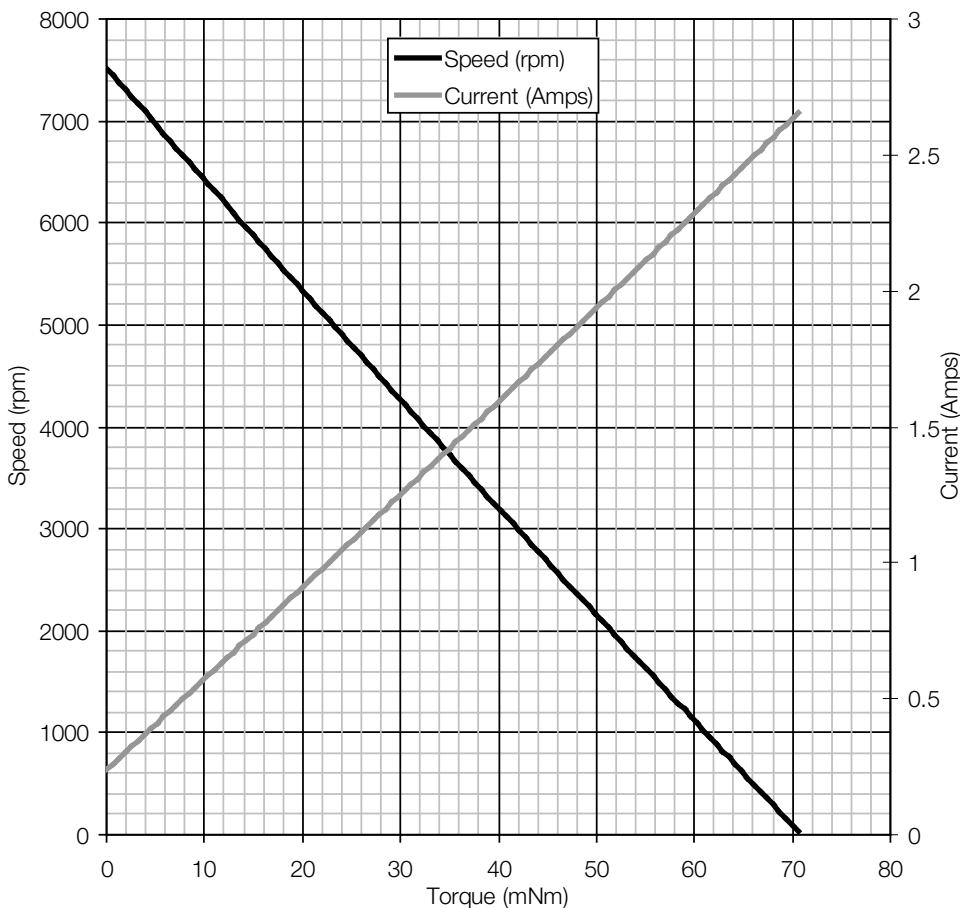


Model Number	Performance									
	Volts V	No Load		Maximum Efficiency				Stall		Max Power W
		Speed rpm	Current A	Speed rpm	Current A	Torque mNm	Output W	Torque mNm	Current A	
BL2940-247	24	7539	0.24	5902	0.73	15.0	9.2	70.6	2.64	13.9

Performance characteristics and general specification are measured from sample motor.

Hall Effect Sensor Wire 26 AWG					Motor Phase Wire 22 AWG		
Yellow	Blue	White	Red	Black	Blue	White	Yellow
HA	HB	HC	+5	GND	M1	M2	M3

## Characteristics



## General Specification

Bearings	Ball Race
Rotation	Bi-directional
Number of poles	4
Operating voltage	24 V
Nominal resistance	9 Ω
Typical detent torque	5 mNm
Weight	85 g

### Contact:

www.rotalink.com  
 info@rotalink.com  
 T: +44 (0)1460 72000  
 F: +44 (0)1460 74278

Rotalink Limited  
 Cropmead, Crewkerne  
 Somerset TA18 7HQ, UK

www.rotalink.com