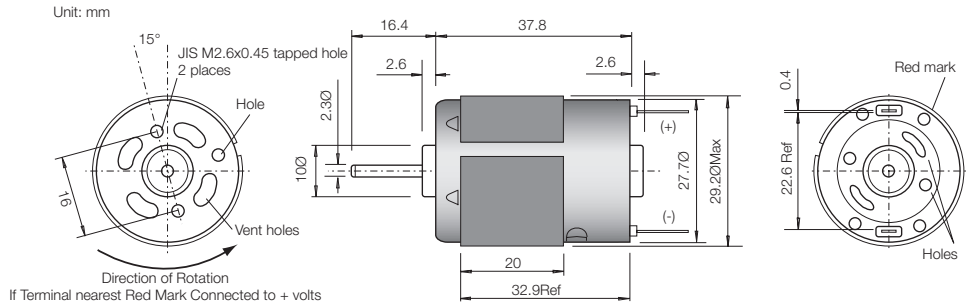


# DC Motors

D2938-2085

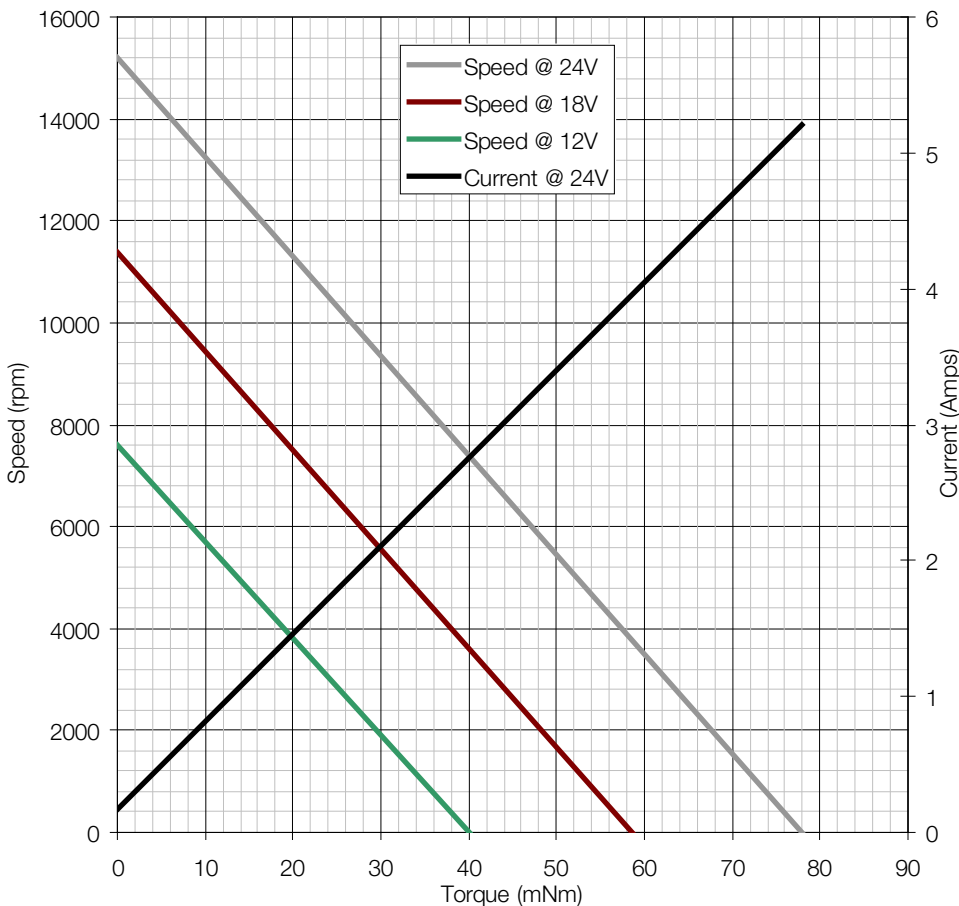
Issue 05



Model Number	Performance									
	Volts V	No Load		Maximum Efficiency				Stall		Max Power W
		Speed rpm	Current A	Speed rpm	Current A	Torque mNm	Output W	Torque mNm	Current A	
D2938-2085	24	15200	0.17	12870	0.94	11.9	15.8	78.0	5.20	30.4
	18	11400	0.16	9400	0.79	10.1	9.94	58.5	3.90	17.5
	12	7600	0.15	6140	0.63	7.7	4.84	40.0	2.65	7.6

Performance characteristics and general specification are measured from sample motor.

## Characteristics



## General Specification

Bearings	Sintered
Brushes	Carbon
Rotation	Bi-directional
Number of poles	5
Operating voltage	9 V to 30 V
Nominal resistance	4.6 Ω
Typical detent torque	2.5 mNm
Weight	81 g

### Contact:

[www.rotalink.com](http://www.rotalink.com)  
[info@rotalink.com](mailto:info@rotalink.com)  
 T: +44 (0)1460 72000  
 F: +44 (0)1460 74278

Rotalink Limited  
 Cropmead, Crewkerne  
 Somerset TA18 7HQ, UK

[www.rotalink.com](http://www.rotalink.com)