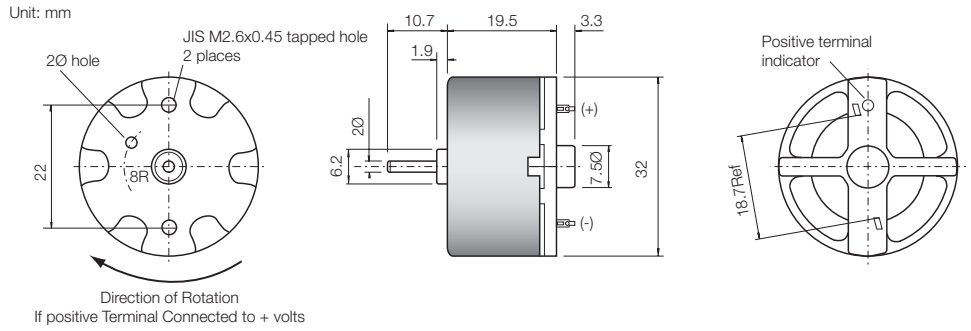


DC Motors

D3218-12560

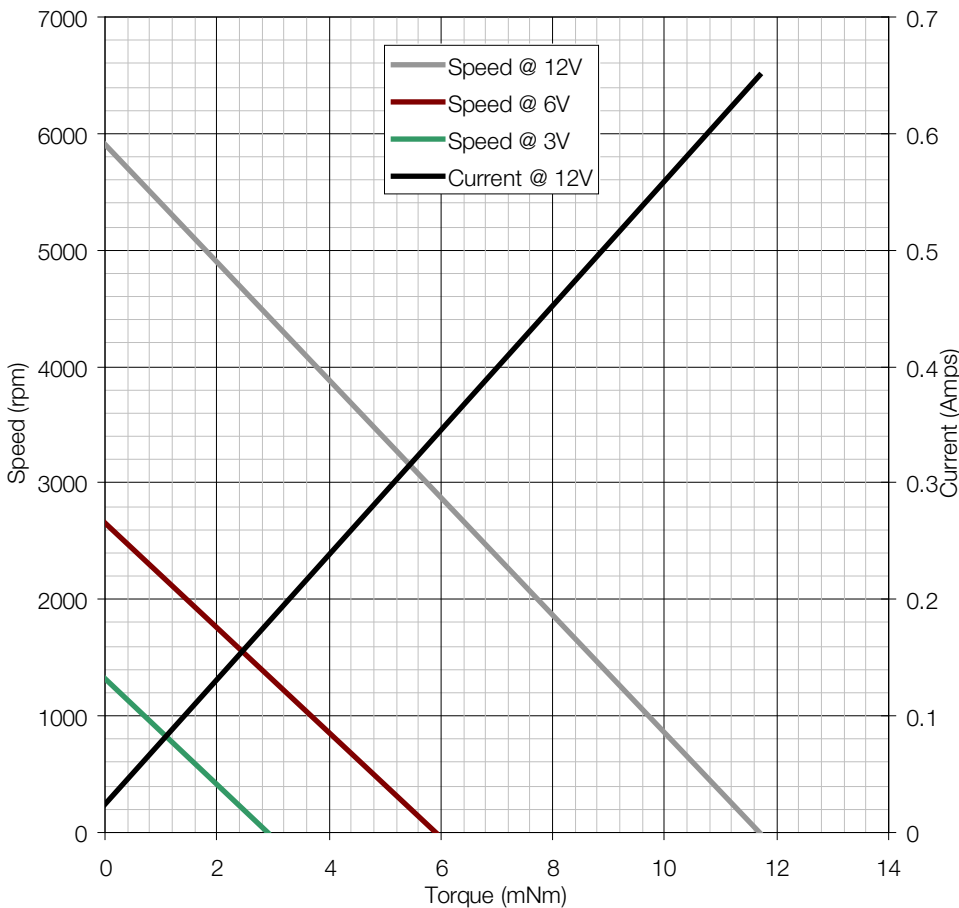
Issue 07



Model Number	Performance									
	Volts V	No Load		Maximum Efficiency				Stall		Max Power W
		Speed rpm	Current A	Speed rpm	Current A	Torque mNm	Output W	Torque mNm	Current A	
D3218-12560	12	5300	0.025	4400	0.135	1.86	0.88	11.7	0.65	1.62
	6	2650	0.020	2140	0.070	1.14	0.23	5.9	0.33	0.41
	3	1320	0.016	850	0.051	1.05	0.09	2.9	0.16	0.10

Performance characteristics and general specification are measured from sample motor.

Characteristics



General Specification

Bearings	Sintered
Brushes	Precious metal
Rotation	Bi-directional
Number of poles	3
Operating voltage	3 V to 12 V
Nominal resistance	18 Ω
Typical detent torque	2.0 mNm
Suppression	Internal ring varistor
Weight	48 g

Contact:

www.rotalink.com
info@rotalink.com
 T: +44 (0)1460 72000
 F: +44 (0)1460 74278

Rotalink Limited
 Cropmead, Crewkerne
 Somerset TA18 7HQ, UK

www.rotalink.com