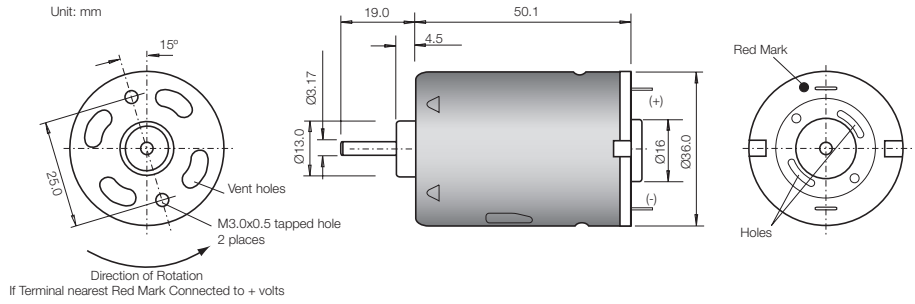


DC Motors

D3650-2578

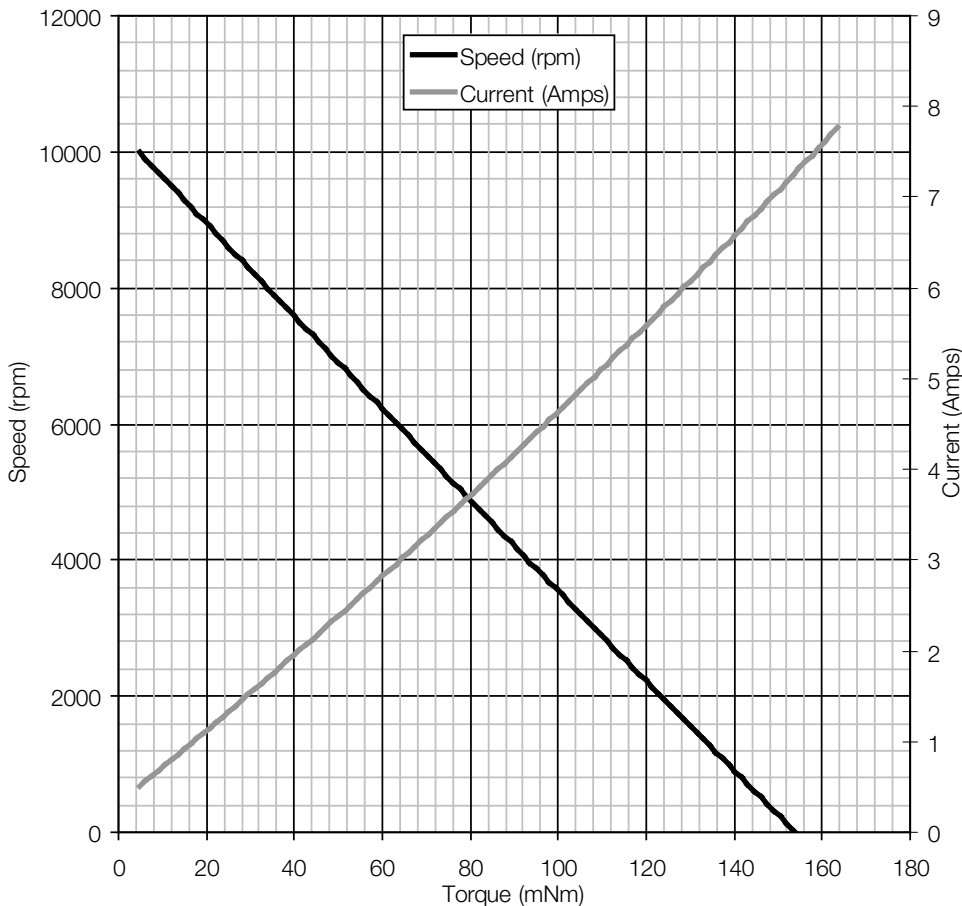
Issue 02



Model Number	Performance										
	Volts V	No Load		Maximum Efficiency					Stall		Max Power W
		Speed rpm	Current A	Speed rpm	Current A	Torque mNm	Output W	Efficiency %	Torque mNm	Current A	
D3650-2578	24	10300	0.41	8610	1.33	24.8	22.3	70%	163.5	7.49	40.8

Performance characteristics and general specification are measured from sample motor.

Characteristics



General Specification

Bearings	Sintered
Brushes	Carbon
Rotation	Bi-directional
Number of poles	5
Operating voltage	12 V to 28 V
Nominal resistance	3 Ω
Typical detent torque	7 mNm
Suppression	None
Weight	155 g

Contact:

www.rotalink.com
info@rotalink.com
 T: +44 (0)1460 72000
 F: +44 (0)1460 74278

Rotalink Limited
 Cropmead, Crewkerne
 Somerset TA18 7HQ, UK

www.rotalink.com