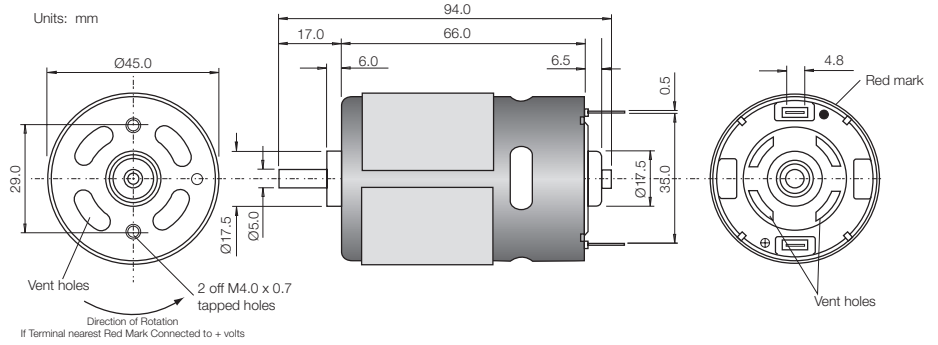


DC Motors

D4566-26100

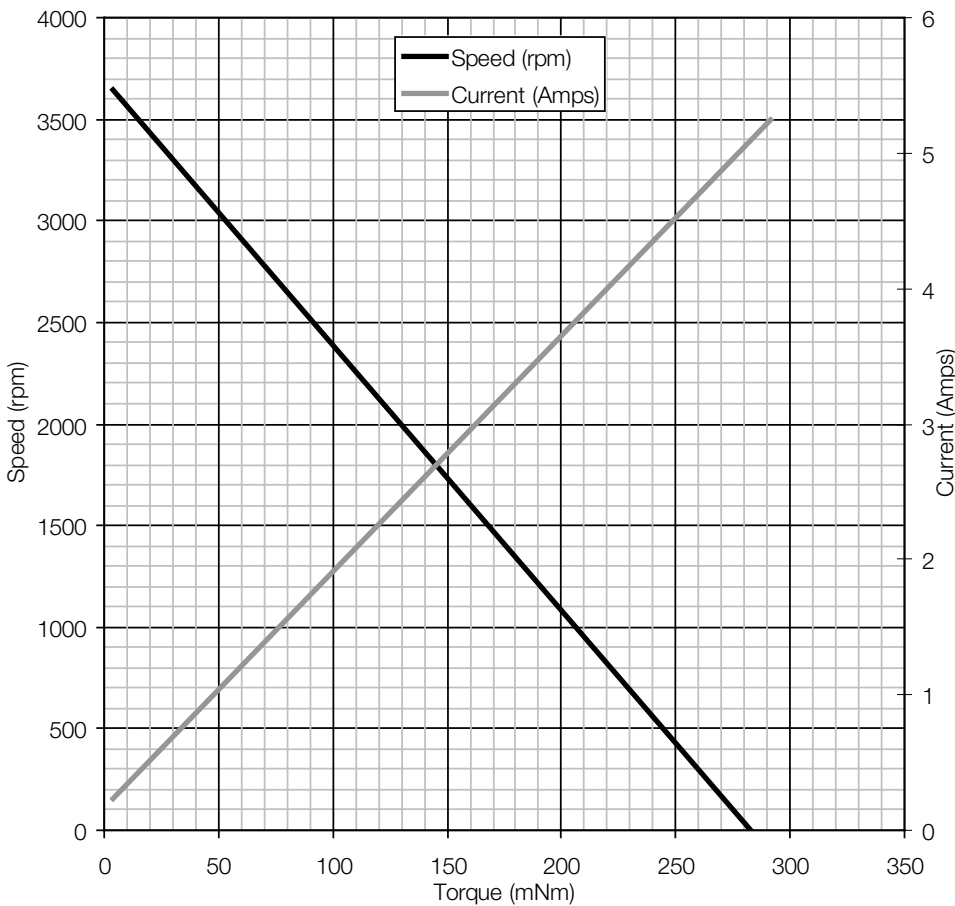
Issue 02



Model Number	Performance										
	Volts V	No Load		Maximum Efficiency					Stall		Max Power W
		Speed rpm	Current A	Speed rpm	Current A	Torque mNm	Output W	Efficiency %	Torque mNm	Current A	
D4566-26100	24	4000	0.33	3090	0.97	45.4	14.7	63%	291.3	5.28	29.2

Performance characteristics and general specification are measured from sample motor.

Characteristics



General Specification

Bearings	Sintered
Brushes	Carbon
Rotation	Bi-directional
Number of poles	5
Operating voltage	12 V to 32 V
Nominal resistance	4.5 Ω
Typical detent torque	20 mNm
Suppression	None
Weight	360 g

Contact:

www.rotalink.com
 info@rotalink.com
 T: +44 (0)1460 72000
 F: +44 (0)1460 74278

Rotalink Limited
 Cropmead, Crewkerne
 Somerset TA18 7HQ, UK

www.rotalink.com