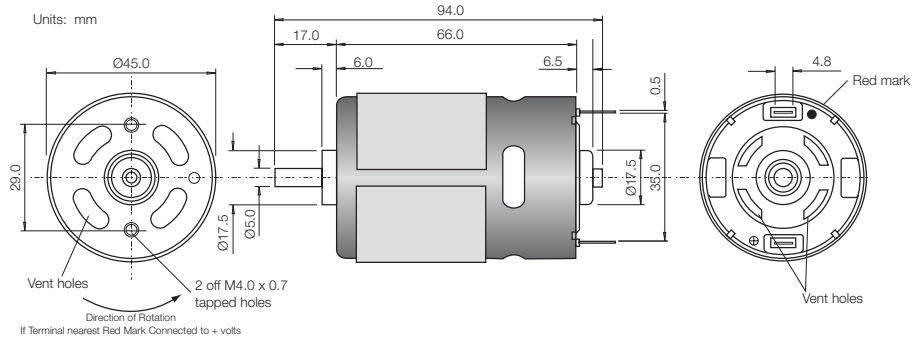


DC Motors

D4566-40110

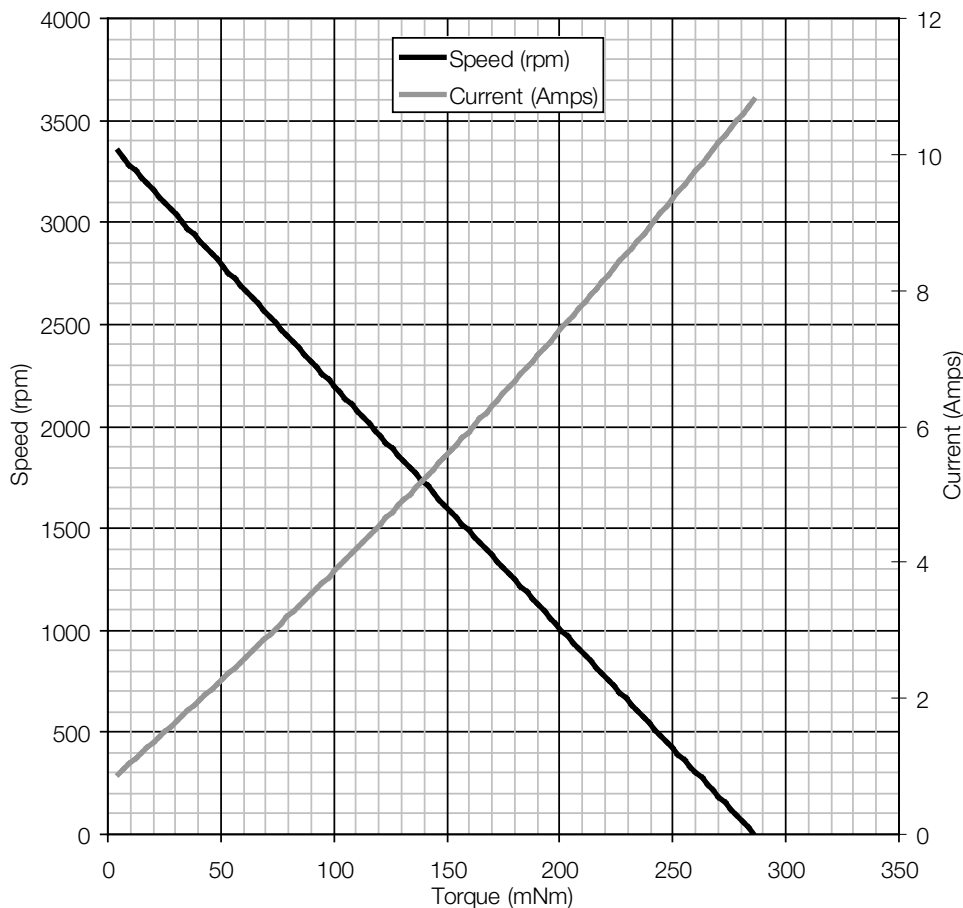
Issue 03



Model Number	Performance									
	Volts V	No Load		Maximum Efficiency				Stall		Max Power W
		Speed rpm	Current A	Speed rpm	Current A	Torque mNm	Output W	Torque mNm	Current A	
D4566-40110	12	3800	0.45	3000	1.72	32.2	10.1	286.0	10.81	25.3

Performance characteristics and general specification are measured from sample motor.

Characteristics



General Specification

Bearings	Sintered
Brushes	Carbon
Rotation	Bi-directional
Number of poles	5
Operating voltage	8 V to 16 V
Nominal resistance	1.4 Ω
Typical detent torque	34 mNm
Suppression	None
Weight	368 g

Contact:

www.rotalink.com
 info@rotalink.com
 T: +44 (0)1460 72000
 F: +44 (0)1460 74278

Rotalink Limited
 Cropmead, Crewkerne
 Somerset TA18 7HQ, UK

www.rotalink.com