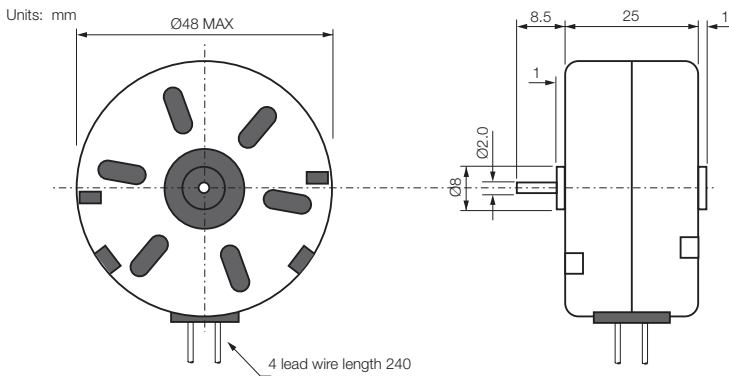


AC Motors

R4924

Issue 01



General Specification

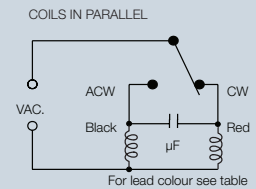
Speed	500 rpm @ 50Hz
	600 rpm @ 60Hz
Ambient temperature range	-15 to 55°C
Dielectric strength	2000V AC 1 min.
	600V AC 1 min. (24V motor)
Weight	140g

Model	Voltage** (V)	Phasing Capacitor (µF)	Max. working voltage (VAC)	Output Power***	Frequency (Hz)	Running torque*** (mNm)	Lead Colour
Coils in parallel							
R4924240	240	0.068	276	0.77	50/60	8	Red Black Yellow
R4924110	110	0.25	126.5	0.77	50/60	8	Red Black White
R492424	24	6.8	27.6	0.77	50/60	8	Red Black Blue

Motor Options

Alternative voltages / lead lengths

Connections



** Please contact Rotalink if you wish to run this motor at other voltages

*** @ nominal voltage and 50Hz

Contact:

www.rotalink.com
 info@rotalink.com
 T: +44 (0)1460 72000
 F: +44 (0)1460 74278

Rotalink Limited
 Cropmead, Crewkerne
 Somerset TA18 7HQ, UK

www.rotalink.com