

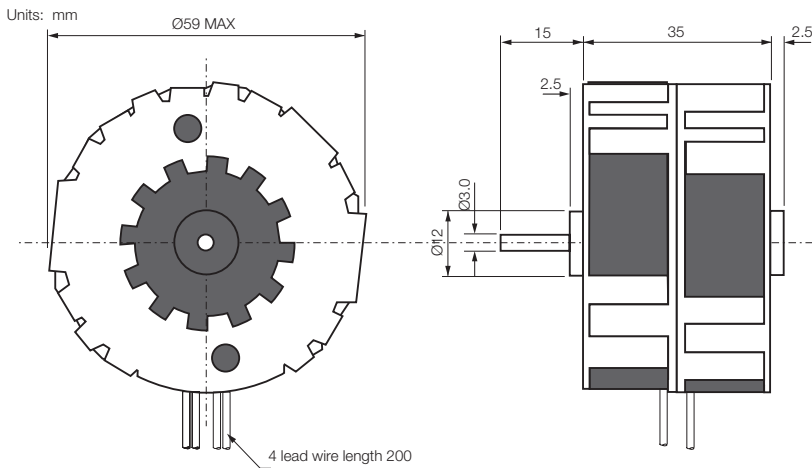
AC Motors

R5935

Issue 02

Coming Soon

call +44 (0) 1460 72000



General Specification

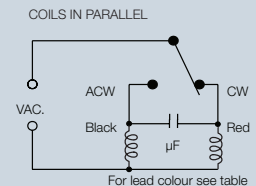
Speed	250 rpm @ 50Hz
	300 rpm @ 60Hz
Ambient temperature range	-15 to 55°C
Dielectric strength	2000V AC 1 min.
	600V AC 1 min. (24V motor)
Weight	300g

Model	Voltage** (V)	Phasing Capacitor (µF)	Max. working voltage (VAC)	Output Power***	Frequency (Hz)	Running torque*** (mNm)	Lead Colour
Coils in parallel							
R5935240	240	0.18	276	1.6	50/60	60	Red Black Yellow
R5935110	110	0.68	126.5	1.6	50/60	60	Red Black White
R593524	24	15	27.6	1.6	50/60	60	Red Black Blue

Motor Options

Ø6.35mm shaft
Alternative voltages / lead lengths

Connections



** Please contact Rotalink if you wish to run this motor at other voltages

*** @ nominal voltage and 50Hz

Contact:

www.rotalink.com
info@rotalink.com
T: +44 (0)1460 72000
F: +44 (0)1460 74278

Rotalink Limited
Cropmead, Crewkerne
Somerset TA18 7HQ, UK

www.rotalink.com