

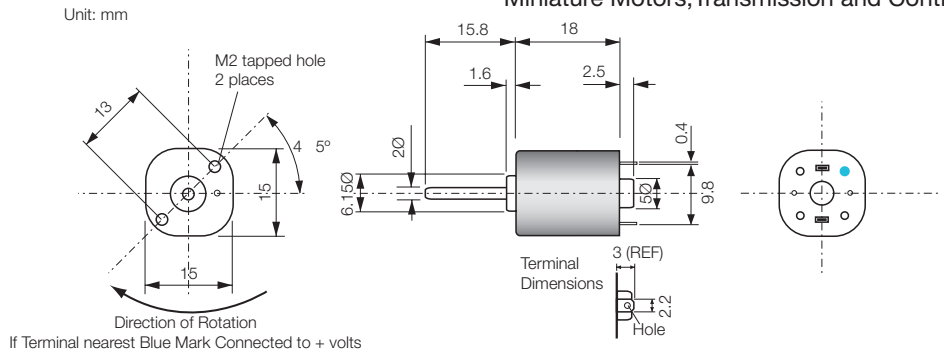
DC Motors

RE1518-1201

Issue 02

Rotalink

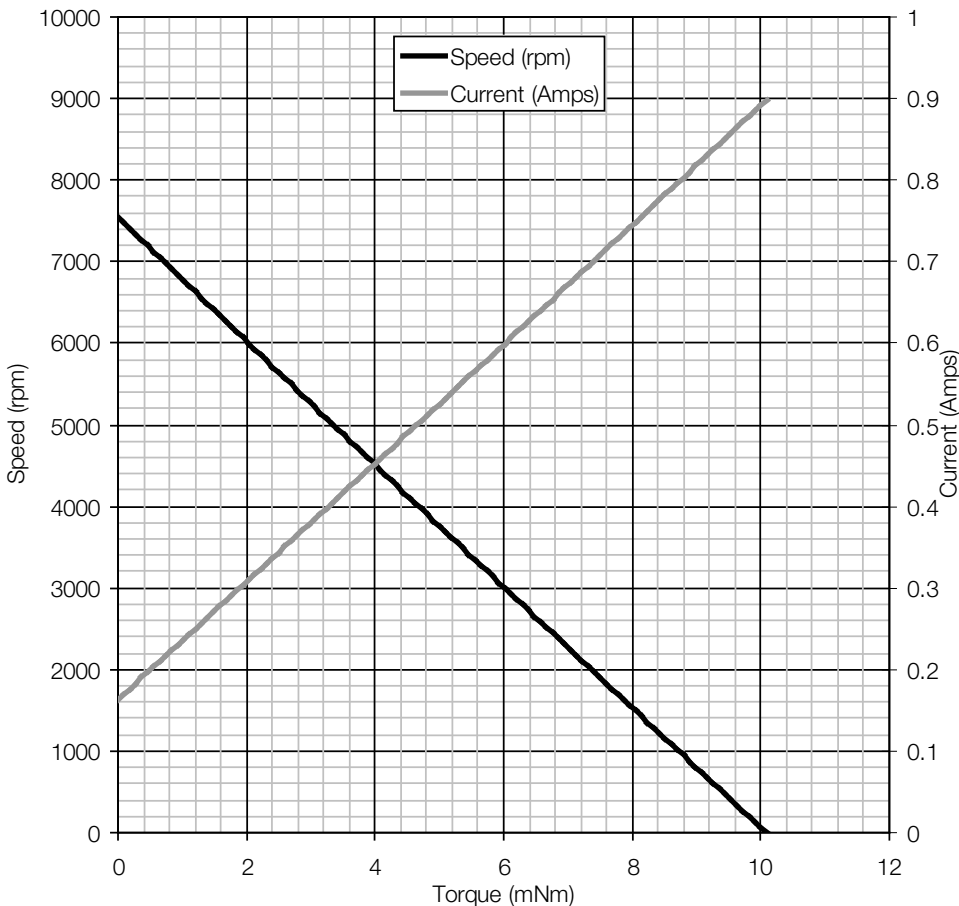
Miniature Motors, Transmission and Control



Model Number	Performance									
	Volts V	No Load		Maximum Efficiency				Stall		Max Power W
		Speed rpm	Current A	Speed rpm	Current A	Torque mNm	Output W	Torque mNm	Current A	
RE1518-1201	12	8666	0.05	5695	0.33	2.4	1.4	10.0	0.89	2.2

Performance characteristics and general specification are measured from sample motor.

Characteristics



General Specification

Bearings	Sintered
Brushes	Precious Metal
Rotation	Bi-directional
Number of poles	6
Operating voltage	8 V to 13 V
Nominal resistance	12 Ω
Typical detent torque	0.6 mNm
Suppression	Ring Varistor
Weight	14 g

Contact:

www.rotalink.com
info@rotalink.com
T: +44 (0)1460 72000
F: +44 (0)1460 74278

Rotalink Limited
Cropmead, Crewkerne
Somerset TA18 7HQ, UK

www.rotalink.com