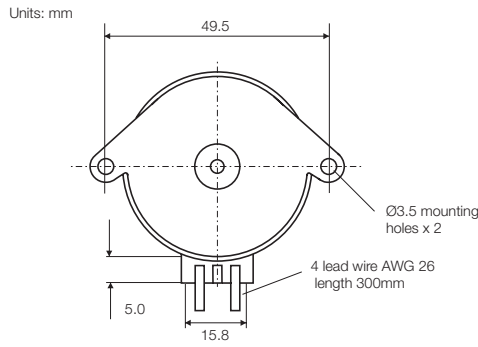


Permanent Magnet Stepping Motors

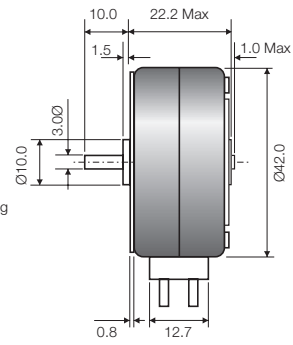
SB4222-048

Issue 03



Rotalink

Miniature Motors, Transmission and Control

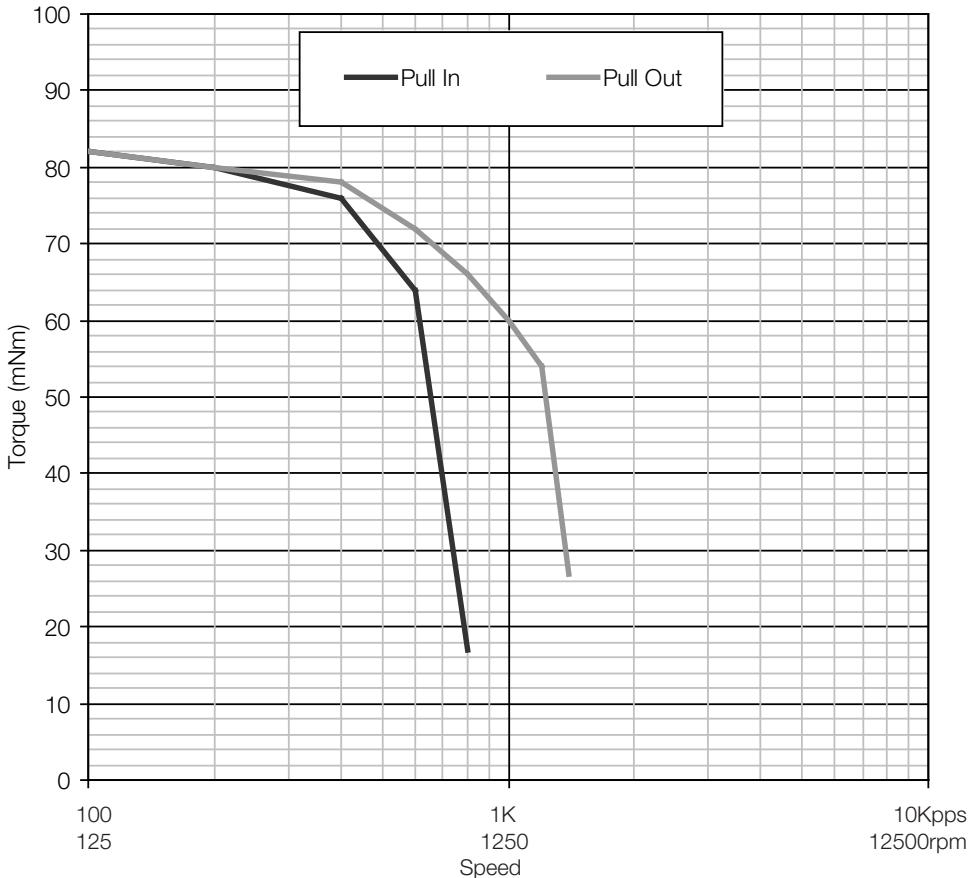


Model Number	Phase voltage (V)	Phase current (A)	Phase resistance (Ω)	Phase inductance (mH)	Winding
SB4222-048-008-04	4	0.50	8.0	12	Bi-polar

General Specification

Holding torque	102mNm
Step angle	7.5°
Rotor Inertia	1.25 kgm ² x10 ⁻⁶
Temperature rise	60°C
Ambient temp. range	-10°C to +50°C
Dielectric strength	500V AC 1sec
Weight	108g

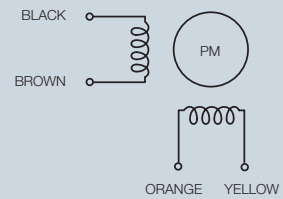
Characteristics



Drive: SM03 full step bi-polar drive @ 40V & nominal phase current
Load Inertia: 0.124x10⁻⁶ kgm²

Full step bi-polar sequence

CW dir.	Step 1	Step 2	Step 3	Step 4
Black	-	+	+	-
Brown	+	-	-	+
Orange	+	+	-	-
Yellow	-	-	+	+



Contact:

www.rotalink.com
info@rotalink.com
T: +44 (0)1460 72000
F: +44 (0)1460 74278

Rotalink Limited
Cropmead, Crewkerne
Somerset TA18 7HQ, UK

www.rotalink.com