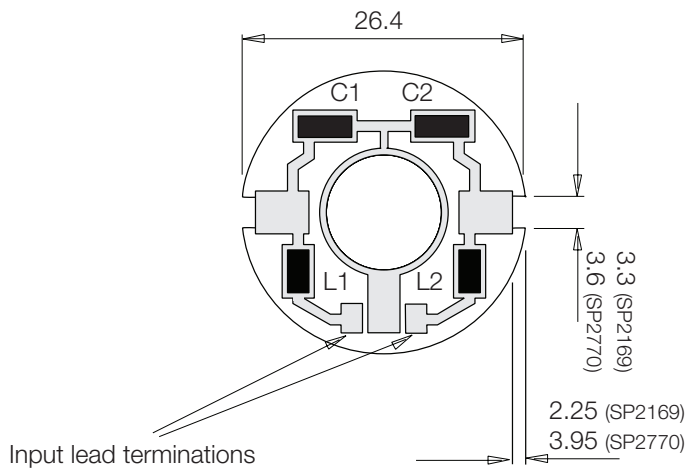


## DC Motors

### EMC Suppression SP2169 & SP2770

Issue 04



#### General Specification

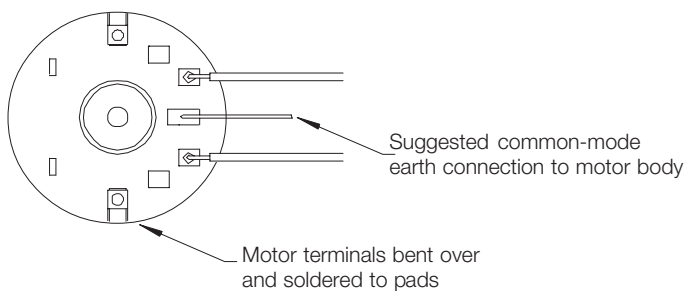
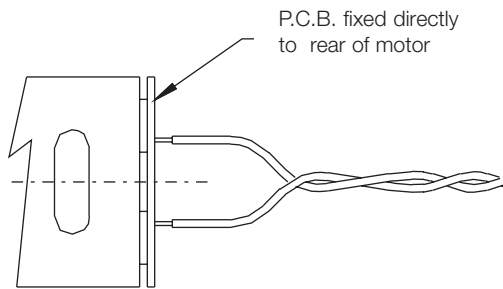
Capacitors C1 & C2	4.7nF
Inductors L1 & L2	0.33μH
Maximum continuous current	250mA
Conductive EMC reduction*	20dB

\*Typical value. This will naturally vary with each individual case. An EMC pre-compliance facility is available in-house for further guidance.

#### Motor Options

SP2169 is designed to be fitted to our D28xx and D29xx motors  
SP2770 fits our D3218 -11650C motor

#### Motor Fitment



#### Contact:

[www.rotalink.com](http://www.rotalink.com)  
[info@rotalink.com](mailto:info@rotalink.com)  
T: +44 (0)1460 72000  
F: +44 (0)1460 74278

Rotalink Limited  
Cropmead, Crewkerne  
Somerset TA18 7HQ, UK

[www.rotalink.com](http://www.rotalink.com)